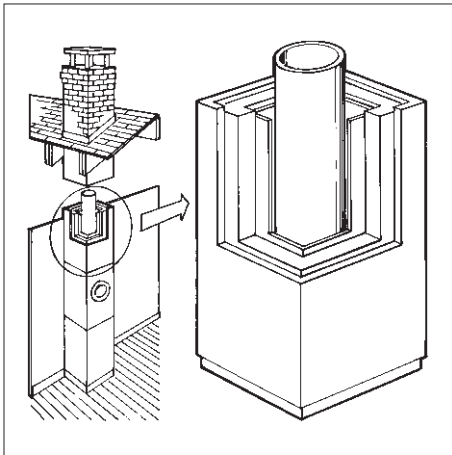


Modular Chimney

by Charles Wardell

The HT-10 chimney system is being touted as the first and only prefabricated, Class-A chimney capable of installation with zero clearance to combustibles. The system consists of a series of 2-foot-high by 16-inch-square boxes with interlocking joints that are sealed with a fire-rated adhesive caulk. At the core of each box is a 24-gauge stainless steel liner that's surrounded by a 1/4-inch-thick, high-density ceramic fiber insulation that will contain temperatures up to 2,100°F. Next comes a 2-inch layer of mineral wool, followed by a 1-inch-thick, high-density calcium-silicate refractory board. Inside the house, the refractory board can be drywalled, painted, or wallpapered; on the outside it can be clad with stucco, brick, stone, or wood veneer. Three corbeling designs are available to simulate the appearance of a masonry chimney. The system is crowned with a stainless steel chimney cap that's hinged for easy cleaning.



The HT-10 is UL-Listed, which means it will meet most state building codes. It can be used with noncondensing furnaces as well as with wood stoves and masonry fireplaces. (The HT-10 isn't yet listed for use with any manufactured fireplace, but the manufacturer is in the process of having it tested.) The system is a bit on the expensive side — \$70 to \$75 per linear foot. However, the manufacturer

claims that a 20-foot-high chimney can be completed in a day, and that the total cost for materials and labor is less than that for framing and finishing a chase for a standard metal chimney.

Contact: Furnex-Division of Hale Industries Inc., 17 Foss Rd., Lewiston, ME 04240; 800/692-9054.

Easy Scale



The standard triangular architect's scale is a study in frustration. Not only must you flip and flop the instrument to find the scale you need, but some scales read left to right while others read right to left. The ingeniously simple design of the *Rapid Rule* ends this frustration because you always use it in the same position, regardless of which scale you're reading.

The Rapid Rule looks like a standard architect's scale that's been squashed. The base is slightly concave so that the scale rides on its edges, sitting tightly on the paper. One of the two remaining faces has the numbered markings of a standard ruler. The other face is unnumbered and houses a six-sided scale rod. Each face of the rod is printed with a different set of scale numbers — the 1/4-inch scale is on one face, the 1/2-inch scale on another, and so on — which line up with the unnumbered increment marks. To change the scale, just turn either end of the rod. Each scale always reads from left to right, and the

Rapid Rule always retains the last scale you used until you purposely change it.

The Rapid Rule is made of extruded aluminum, making it more resistant to nicks than plastic scales. Three types of scales are available — architectural, engineering, and metric — and can be ordered directly from the company. Prices are \$17.50 for the 12-inch size and \$13.50 for the 6-inch size.

Contact: Rapid Rule Co. Inc., 69159 Pine Rd., North Liberty, IN 46554; 219/784-2273.

Low-Cost Fire-Stop



The makers of *Draftstop* report that 15 state building codes now require a noncombustible fire stop at penetrations for flue gas vents, hot water pipes, ductwork, chimneys, and fireplaces. The BOCA model building code defines a noncombustible material as one that conforms to ASTM standard E-136. Most commercial-grade silicone caulks meet this requirement, but at about \$12 per tube, they can get expensive. *Draftstop* complies with E-136, and costs only \$5 per tube. It includes specially treated slag wood fibers that permit up to a $\frac{3}{8}$ -inch-thick bead — thick enough for most fire-stopping applications.

Contact: Insul-Industries, P.O. Box 21065, Greensboro, NC 27420; 800/372-7702.

Narrow Roof Membrane

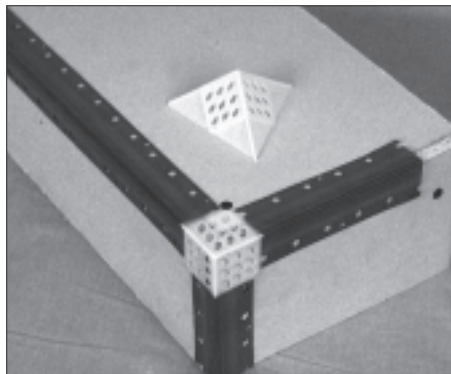
In northern climates, many roofers lay a self-sticking bituminous membrane beneath roof shingles at the eaves and around skylights. The membrane serves as a backup watershed to keep melting ice and snow out of the roof system. Most membranes come in 3-foot-wide



rolls, which are perfect for rolling out onto the eaves, but are a nuisance to cut into the narrow strips needed around skylights. But a new product called *Skylight Roofing Underlayment* doesn't need to be cut to width. The product is a standard bituminous membrane that comes in 36-foot-long by 9-inch-wide rolls. The strips of bituminous membrane go between the flashing and the roof deck to make a tight seal and prevent water infiltration. A roll costs \$21 and will waterproof three 2-foot by 4-foot skylights.

Contact: Velux-America Inc., P.O. Box 5001, Greenwood, SC 29648; 800/283-2831.

Plastic Drywall Corner



Three-way outside drywall corners are quicker to finish with *Easy Corner*. The product is made from a highly durable plastic and forms a perfect corner that will not crush. The *Easy Corner* doesn't need fastening — it's held in place by the three corner beads — and will work with any corner bead on the market.

Contact: Unimast Inc., 6839 Southlake Pkwy., Morrow, GA 30260; 800/631-6287. ■