

# PRODUCTS

by Scott Gibson

## Night Lights

Stainless steel complements cable rail



AGS Stainless says its new Starlight LED accent lights are the first to be specifically designed for cable rail systems.

Measuring 1½ inches by 1½ inches by 8¾ inches, each fixture has three light channels, an open bottom to cast light downward, and a 1½-inch by 3-inch solar panel. LEDs are housed in a pre-drilled marine-grade brushed Type-316 stainless steel shell, inside of which a plastic housing protects the electrical components. An AAA NiMH battery powers the light for as long as 12 hours on a charge, producing between 5 and 6 lumens (for reference, a standard 60-watt incandescent bulb throws 850 lumens).

Although designed to complement the company's cable rail products, the lights could just as easily be mounted in a variety of outdoor locations, such as on deck posts, second-story railings, or posts along a walkway or in a garden.

Rechargeable AAA NiMH batteries are typically good for a thousand or more charge-discharge cycles and can be replaced for a couple of bucks. Individual lights cost \$35 each; five or more, \$30 each; 11 or more, \$25 each.

■ **AGS Stainless**, 888.842.9492, [agsstainless.com](http://agsstainless.com)

## Clay Pavers

Through-and-through color resists fading

Two new paver styles, Beale Street and Esplanade, bring the total number of offerings in North Carolina-based Pine Hall Brick Co.'s product line up to 53.

Pine Hall says the pavers are the same color all the way through and will not fade. Beale Street pavers (shown) come in a composite of gray, burgundy, and red; a single paver may contain all three colors, just one, or any combination in between. Sizes include 4 by 8 inches for installation in sand, and 3⅝ by 7⅝ inches for mortar applications. Available thicknesses are 1⅜ inches, 2¼ inches, and 2¾ inches. If a permeable installation is desired, these pavers can be installed over an aggregate base that captures runoff.

The Beale Street line has two versions: "Rumbled" pavers have been mechanically distressed to look old; "Courtyard Straight Edge" pavers look new. Prices range from \$3 to \$3.25 per square foot for Rumbled and \$2 to \$2.25 per square foot for Courtyard.

Esplanade pavers (not shown) are available in a num-



ber of colors and measure 2¾ inches by 8⅜ inches, which is somewhat longer and narrower than is typical. They're 2¾ inches thick and have chamfered edges on the wear surface. Unlike Beale Street pavers, these pavers can't be used for a permeable installation, because they lack integral nibs for spacing. Esplanade pavers cost between \$2.25 and \$2.50 per square foot.

■ **Pine Hall Brick Co.**, 800.334.8689, [pinehallbrick.com](http://pinehallbrick.com)

## PRODUCTS

### Porch Post Base

Install posts before slab pour

A new structural connector, the Simpson Strong-Tie PPBZ, eliminates the need for temporary vertical supports for a porch roof during construction.

The idea is that porch framing can continue even without a finished slab, minimizing job-site disruptions. Once the PPBZ is attached to a footing with a couple of Simpson Strong-Tie Titen screws, posts can be installed to support the roof framing. Because the base is designed to support vertical construction loads even without being embedded in a slab, the manufacturer says, concrete can be placed around the support later to complete the installation.

Post bases come in two standard sizes, for slabs 4 inches or 6 inches thick. They also may be ordered in custom sizes for any slab thickness in between. Key features include side stirrups that stiffen the assembly without support from concrete; a 1-inch standoff that reduces the chance of decay at the base of the post; and ZMAX coating for corrosion resistance.

The bases are made from 12-gauge steel and are designed for nominal 4x4 posts. Prices start at less than \$40.

Contact the company for test data and code compliance.

■ **Simpson Strong-Tie**, 800.999.5099, strongtie.com



## Smooth Decks. Picture-Perfect Moments.

**beck**  
FASTENER GROUP

Fastener-Free Deck Surfaces  
Quickly Driven Pneumatically

Deck Expo Booth #4929

### INVISIDECK® Hidden SCRAIL® SYSTEM

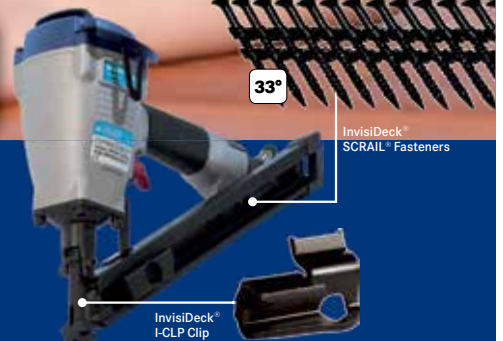
Capture the beauty of a smooth deck surface. Easily create beautiful and safe deck surfaces free from rough, visible fastener heads by switching to the InvisiDeck® Hidden SCRAIL® System.

InvisiDeck's quick and easy three component system:

- 3-5 times faster than manual installation
- Improves deck appearance and value
- Consistent gap spacing between boards
- Fits most grooved boards on the market



Scraifasteners



FASCO InvisiDeck® Tool

InvisiDeck®  
I-CLP Clip

InvisiDeck®  
SCRAIL® Fasteners

Get professionally connected by visiting  
[www.fascoamerica.com](http://www.fascoamerica.com) (scan the QR-Code with  
smartphone) or call 800-239-8665.

Master Distributor  
**FASCO**  
AMERICA



## PRODUCTS

### Wire Mesh Railing

View-friendly infill



It may look like the kind of fencing you'd find on a farm, and that's probably where it gets its name. But Wild Hog Railing is manufactured to the company's specs for use as deck railing or residential fencing, not livestock control.

The 6-gauge wire is zinc and epoxy coated, then powder coated in black or silver. Rail sections come in three sizes—3 feet by 6 feet, 3 feet by 8 feet, and 6 feet by 5 feet—and have 4-inch-square mesh openings (measured on-center; a 4-inch sphere can't pass through). The infill can be paired with a variety of wood or metal posts and top and bottom designs.

Retail sales are limited to a number of dealers in northern California (they're listed on the company's website). If you live beyond this service area, you may contact one of the dealers directly and arrange for shipping, Wild Hog says.

Made in the U.S., 3x6 panels sell for \$49 each and 3x8 panels for \$68 each, in either silver or black. The 6x5 panels for stairs or fences sell for \$79 per section.

■ **Wild Hog Railing**, 800.221.7671, [wildhograiling.com](http://wildhograiling.com) ❖

*Scott Gibson is a writer in East Waterboro, Maine.*



ALUMINUM RAILING SYSTEM  
*Lincoln*

# An aluminum railing system from a name you can trust.

The all-new Lincoln Railing System is extruded from rust-inhibiting 6063-T5 aluminum and features a durable textured powder-coated finish. Made in the U.S.A., Lincoln is available in three colors: black, bronze and white. Pivoting stair rail brackets allow for easy installation and all 3"x 3" posts come standard with a cap, collar, and a leveling mechanism. Visit [ColorGuardRailing.com](http://ColorGuardRailing.com) for more information.

